

Emitter Assembly ELM-4000 Series

- Dual Drive
- Lead Frame Construction
- Pulse Oximetry Component
- Clear Epoxy

The ELM-4000 Series Emitter Assemblies are specially designed for medical applications where selection of peak wavelength is a key requirement. Emission source material is GaAlAs in conjunction with GaAlP complete with clear epoxy lens.

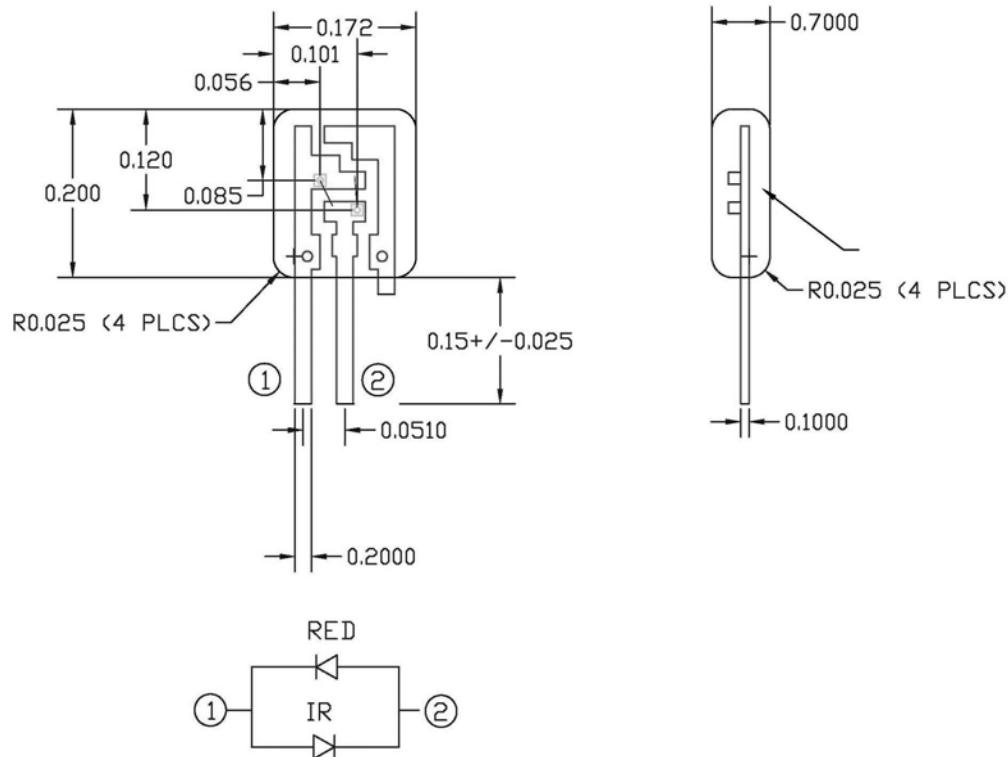
FEATURES

- Low Cost
- 660 nm ± 3 nm Peak Wavelength Red LED
- Two IR Wavelength Choices
- Dual Drive
- Clear Epoxy Lens

APPLICATIONS

- Pulse Oximetry
- Finger/Ear Probes
- Disposable Strip or Butterfly Sensors

Dimensions (ELM-4001)



深圳市新世联科技有限公司

Emitter Assembly ELM-4000 Series

Specifications & Ratings

RED 660nm

Parameter @ 25°C	Symbol	Conditions	Min.	Typ.	Max.	Absolute	Unit
Forward Voltage	V_f	$I_f=20mA$		1.85	2.30		V
Reverse Voltage	V_{B_r}	$I_{br}=10\mu A$	3.0				V
Reverse Current	I_r	$V_r=3V$			100		μA
Luminous Intensity	L_v	$I_f=20mA$	25				Mcd
Peak Wavelength	λ_p	$I_f=20mA$	657	660	663		nm
Spectral Bandwidth	$\lambda\Delta$	$I_f=20mA$		20			nm

INFRARED 880nm (ELM-4001)

Forward Voltage	V_f	$I_f=20mA$			1.50		V
Reverse Voltage	V_{B_r}	$I_{br}=10\mu A$	3.0				V
Reverse Current	I_r	$V_r=3V$			100		μA
Peak Wavelength	λ_p	$I_f=20mA$	870	880	890		nm
Spectral Bandwidth	$\lambda\Delta$	$I_f=20mA$		60	80		nm
Total Output	P_o	$I_f=20mA$	≥ 0.6	1			mW

INFRARED 940nm (ELM-4002)

Forward Voltage	V_f	$I_f=20mA$		1.20	1.40		V
Reverse Voltage	V_{B_r}	$I_{br}=10\mu A$	5.0				V
Reverse Current	I_r	$V_r=3V$					μA
Peak Wavelength	λ_p	$I_f=20mA$	930	940	950		nm
Spectral Bandwidth	$\lambda\Delta$	$I_f=20mA$		45			nm
Total Output	P_o	$I_f=20mA$	≥ 0.6	1			mW

Ordering Information

Description

Emitter Assembly; Lead Frame; 660nm/880nm
 Emitter Assembly; Lead Frame; 660nm/940nm

Part Number

ELM-4001
 ELM-4002

深圳市新世联科技有限公司